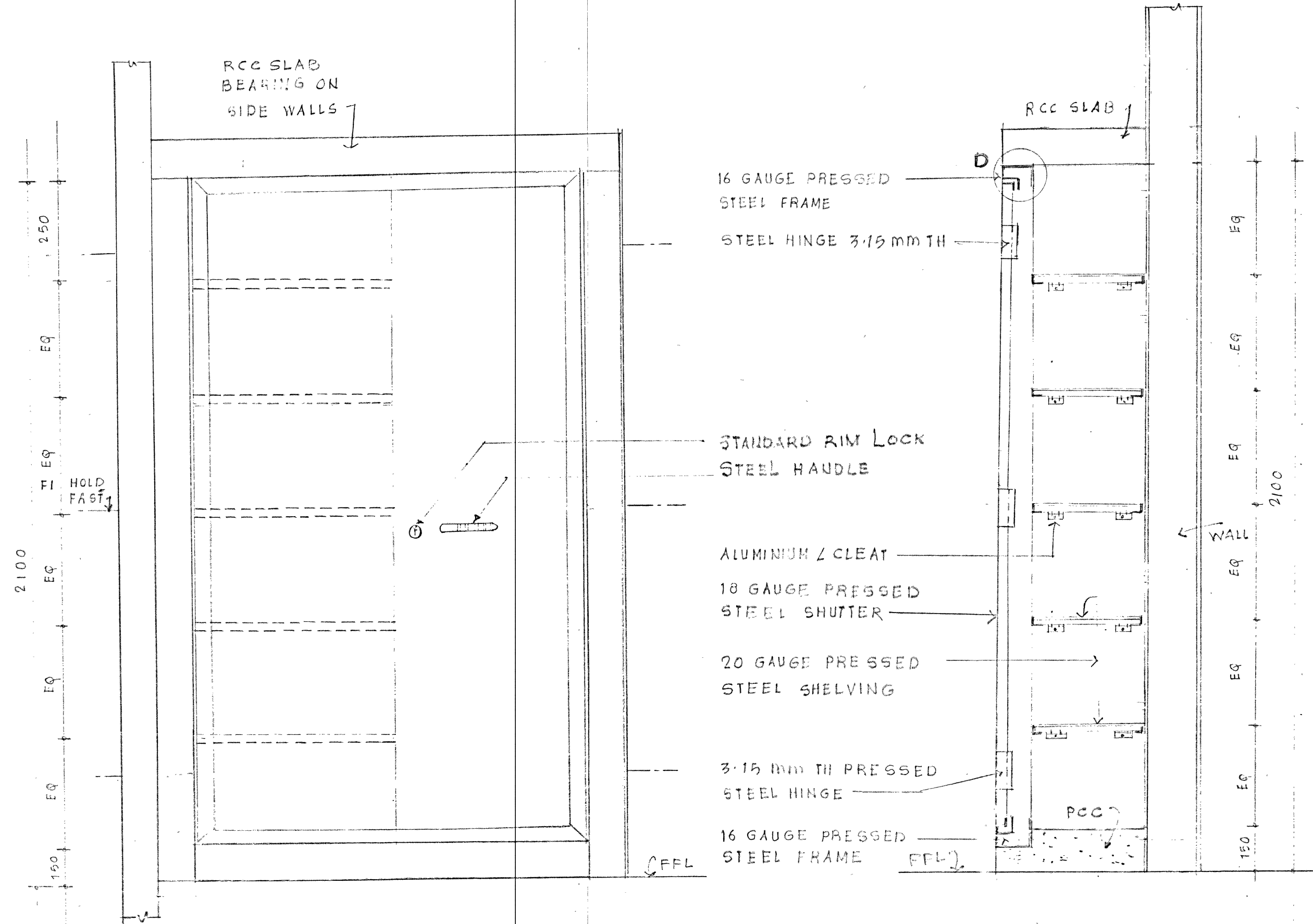


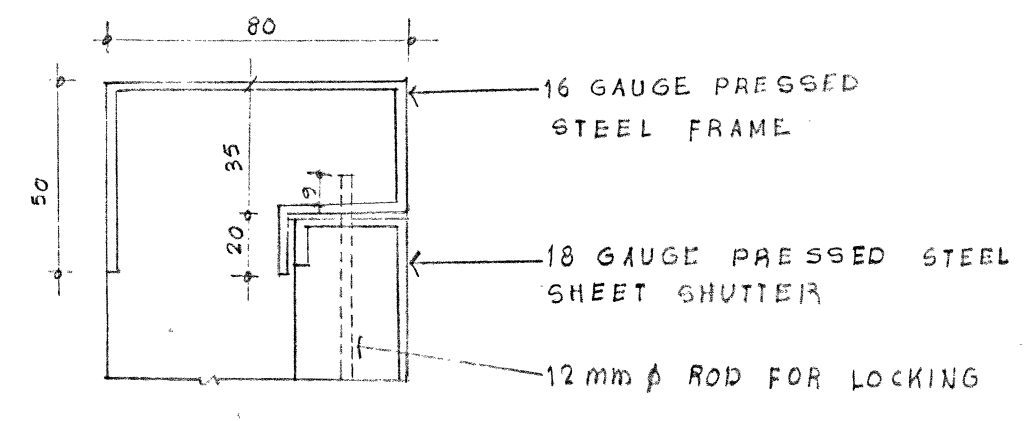
NOTES

- 1 CONTRACTOR TO CHECK & VERIFY ALL DIMENSIONS BEFORE EXECUTION OF THE WORK.
- 2 FIGURED DIMENSIONS SHALL BE FOLLOWED
- 3 ALL DIMENSIONS ARE GIVEN IN MM UNLESS OTHERWISE STATED.
- 4 INTERNAL PLASTER OF CUPBOARD TO BE TREATED WITH CEMENT BASE PAINT (WHITE)
- 5 ALL STEEL WORK SHALL BE SPRAY PAINTED WITH 2 COATS OF OIL PAINT ON ONE COAT OF PRIMER, COLOUR SHADE SHALL BE OLIVE GREEN.

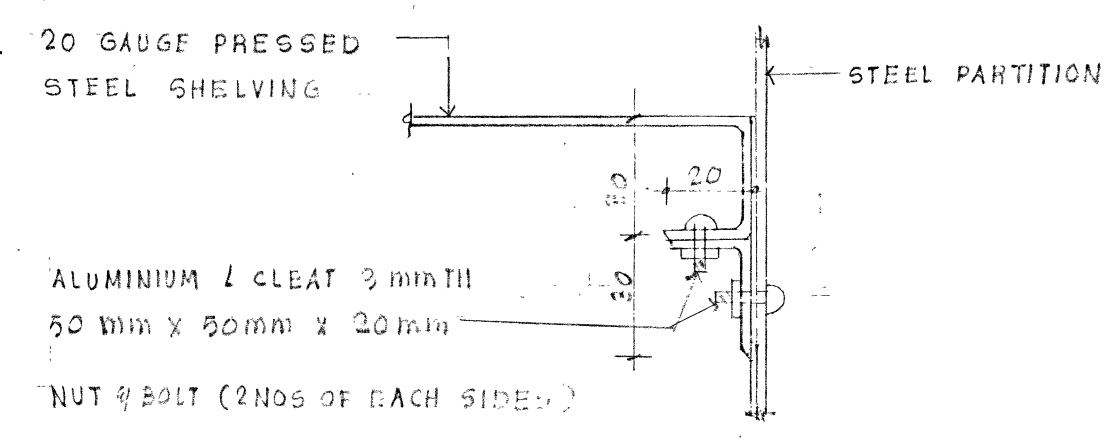


ELEVATION

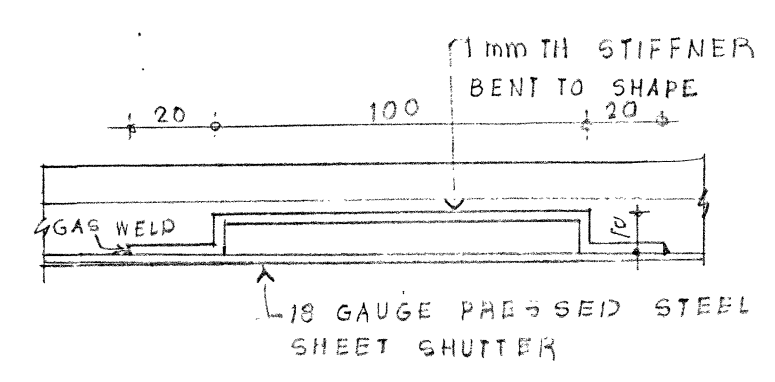
SECTION A-A



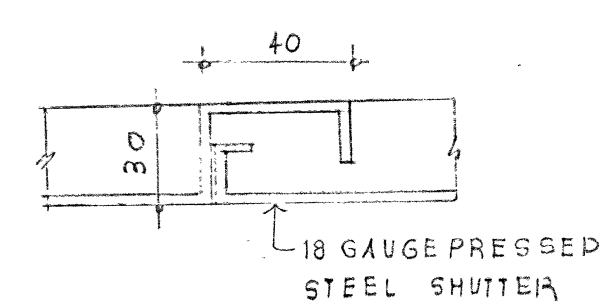
DETAIL AT 'D'
SCALE - 1:2



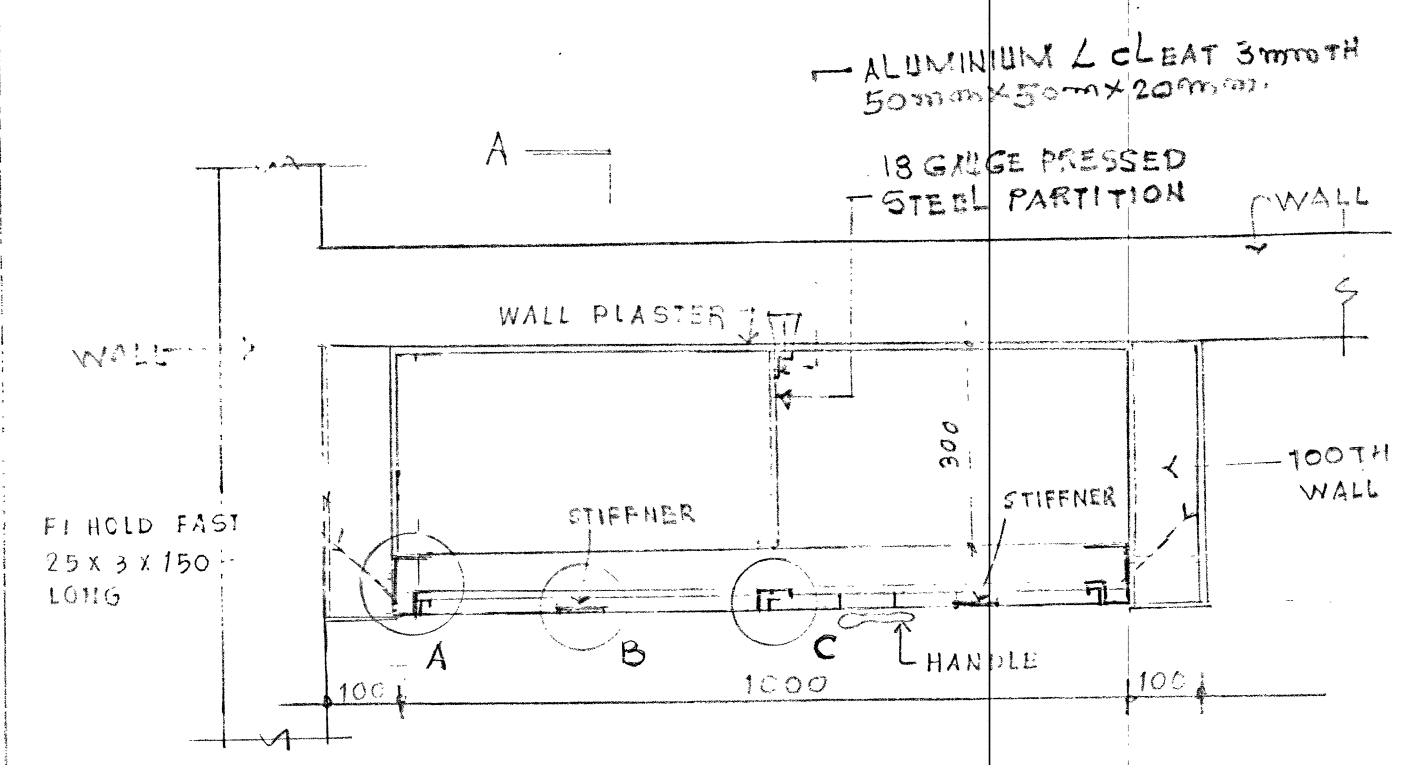
FIXING DETAILS OF SHELVING AND PARTITION



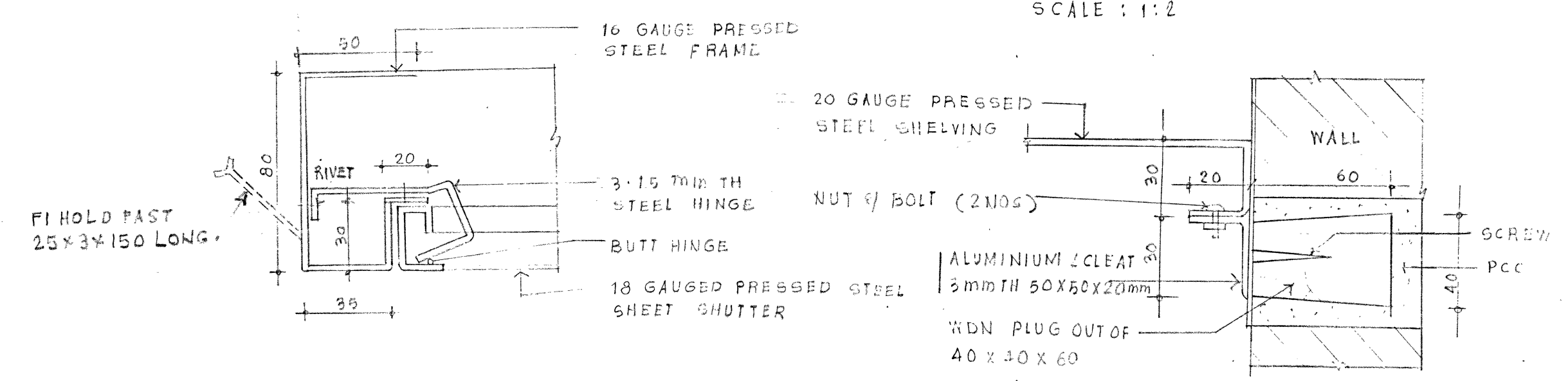
DETAIL AT 'B'
SCALE : 1:2



DETAIL AT 'C'
SCALE : 1:2



PLAN
SCALE - 1:10



DETAIL AT 'A'
SCALE : 1:2

FIXING DETAIL OF SHELVING TO WALL
SCALE - 1:2

BUILT IN STEEL CUPBOARD FOR CLASS ROOM.

DRN : Mrs. Jadhav	CHIEF ENGINEER PUNE ZONE PUNE	DATE 23.1.89
ICD : Mrs. Jadhav		SCALE AS SHOWN
CKD : Mrs. Jadhav		
CD :		

ASST ARCHITECT

SENIOR ARCHITECT FOR CEPZ PUNE